

# **BALDOR® • *RELIANCE***

## **Product Information Packet**

### **VM3542**

**.75HP,1725RPM,3PH,60HZ,56C,3420M,TEFC,F1**

Product Detail							
Revision:	U	Status:	PRD/A	Change #:		Proprietary:	No
Type:	AC	Prod Type:	3420M	Elec. Spec:	34WG0883	CD Diagram:	CD0005
Enclosure	TEFC	Mfg Plant:		Mech Spec:	34A063	Layout:	34LYA063
Frame:	56C	Mounting:	F1	Poles:	04	Created Date:	
Base:	N	Rotation:	R	Insulation:	B	Eff. Date:	04-12-2004
Leads:	9#18	Literature:		Elec. Diagram:		Replaced By:	

Nameplate NP1256L									
CAT.NO.	VM3542								
SPEC.	34A63-883								
HP	3/4								
VOLTS	208-230/460								
AMP	3.2-3/1.5								
RPM	1725								
FRAME	56C	HZ	60	PH	3				
SER.F.	1.25	CODE	K	DES	B	CLASS	B		
NEMA-NOM-EFF	75.5	PF	60						
RATING	40C AMB-CONT								
CC				USABLE AT 208V	3.6				
DE	6203	ODE	6203						
ENCL	TEFC	SN							
	SFA 3.6-3.4/1.7								

Parts List		
Product ID	Description	Quantity
SA009889	SA 34A63-883	1.000
RA006334	RA 34A63-883	1.000
NS2512A01	INSULATOR, CONDUIT BOX X X	1.000
34CB3002A	CB CAST W/.88 DIA HOLE	1.000
34GS1029A01	GASKET, CONDUIT BOX	1.000
51XB1016A07	10-16 X 7/16 HXWSSLD SERTYB	2.000
11XW1032G06	10-32 X .38, TAPTITE II, HEX WSHR SLTD U	1.000
34EP3102A01SP	FR ENDPLATE, MACH	1.000
HW5100A03SP	WAVY WASHER (W1543-017)	1.000
34EP3300A24SP	PU ENDPLATE, MACH	1.000
51XN1032A20	10-32 X 1 1/4 HX WS SL SR	2.000
34FN3002A01SP	EXTERNAL FAN, PLASTIC, .637/.639 HUB W/	1.000
51XW1032A06	10-32 X .38, TAPTITE II, HEX WSHR SLTD S	3.000
34CB4517	CB LID 4 MTG HOLES .22 DIA STAMPED, FOR	1.000
34GS1031A01	GASKET, FLAT CONDUIT BOX LID (LEXIDE)	1.000
51XW0832A07	8-32 X .44, TAPTITE II, HEX WSHR SLTD SE	4.000
HW2501D13SP	KEY, 3/16 SQ X 1.375	1.000
34FH4002A01SP	IEC FH NO GREASER	1.000
HA7000A04	KEY RETAINER 0.625 DIA SHAFTS	1.000
MG1000G27	PAINT- S9282E CHARCOAL GREY	0.014
10XF0440S02	04-40 X 1/8 TYPE F HEX HD STAINLESS STIC	2.000
HA3100A12	THRUBOLT 10-32 X 7.375	4.000
LB5040		1.000
LB1125C01	STD (STOCK) CARTON LABEL BALDOR WITH FLA	1.000

<b>Parts List (continued)</b>		
<b>Product ID</b>	<b>Description</b>	<b>Quantity</b>
LC0005E01	CONN.DIA./WARNING LABEL (LC0005/LB1119)	1.000
NP1256L	ALUM, UL CSA CC, W/O THERMAL, LASER	1.000
34PA1002	PACKING GROUP, BALDOR	1.000

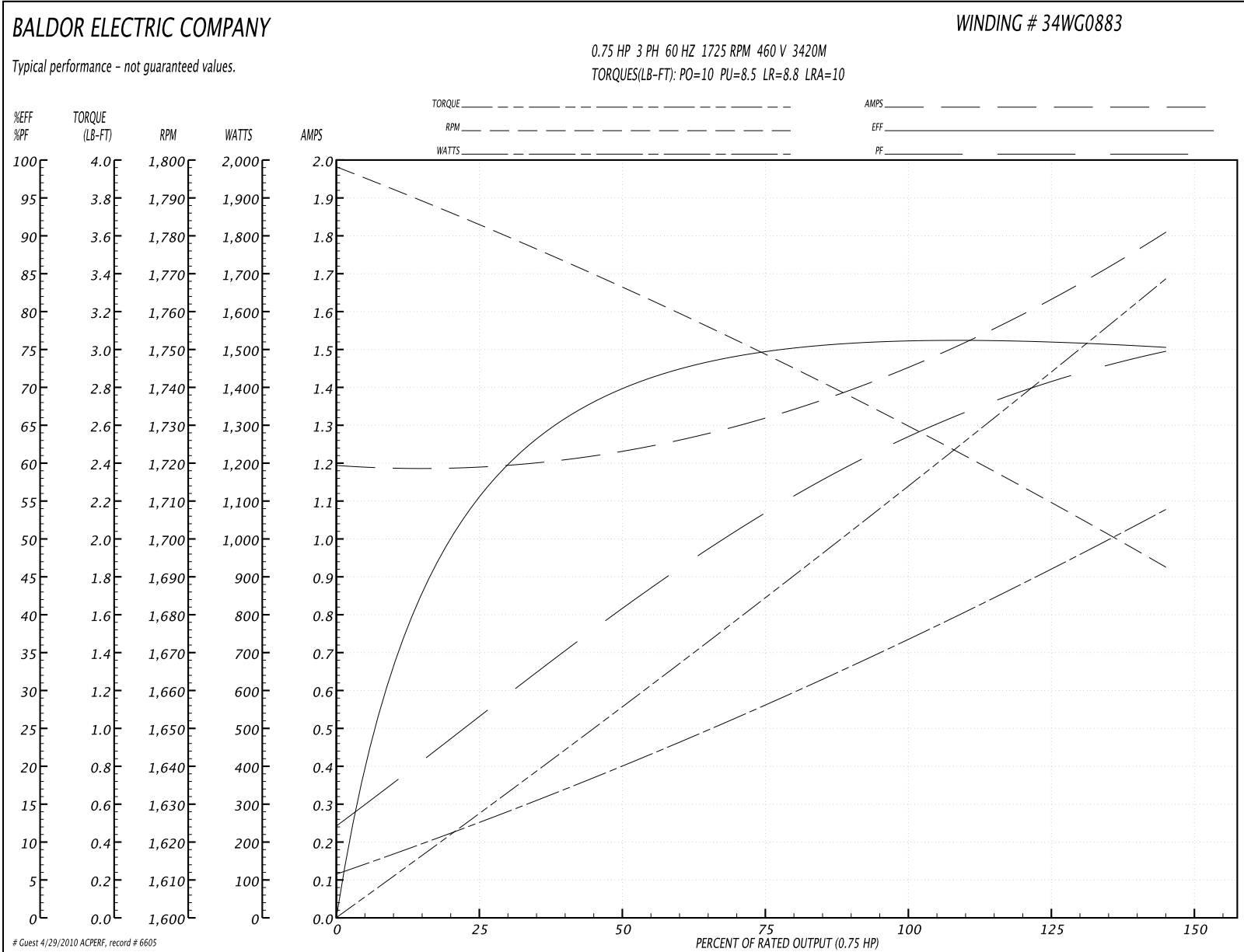
**Performance Data at 460V, 60Hz, 0.75HP (Typical performance - Not guaranteed values)**
**General Characteristics**

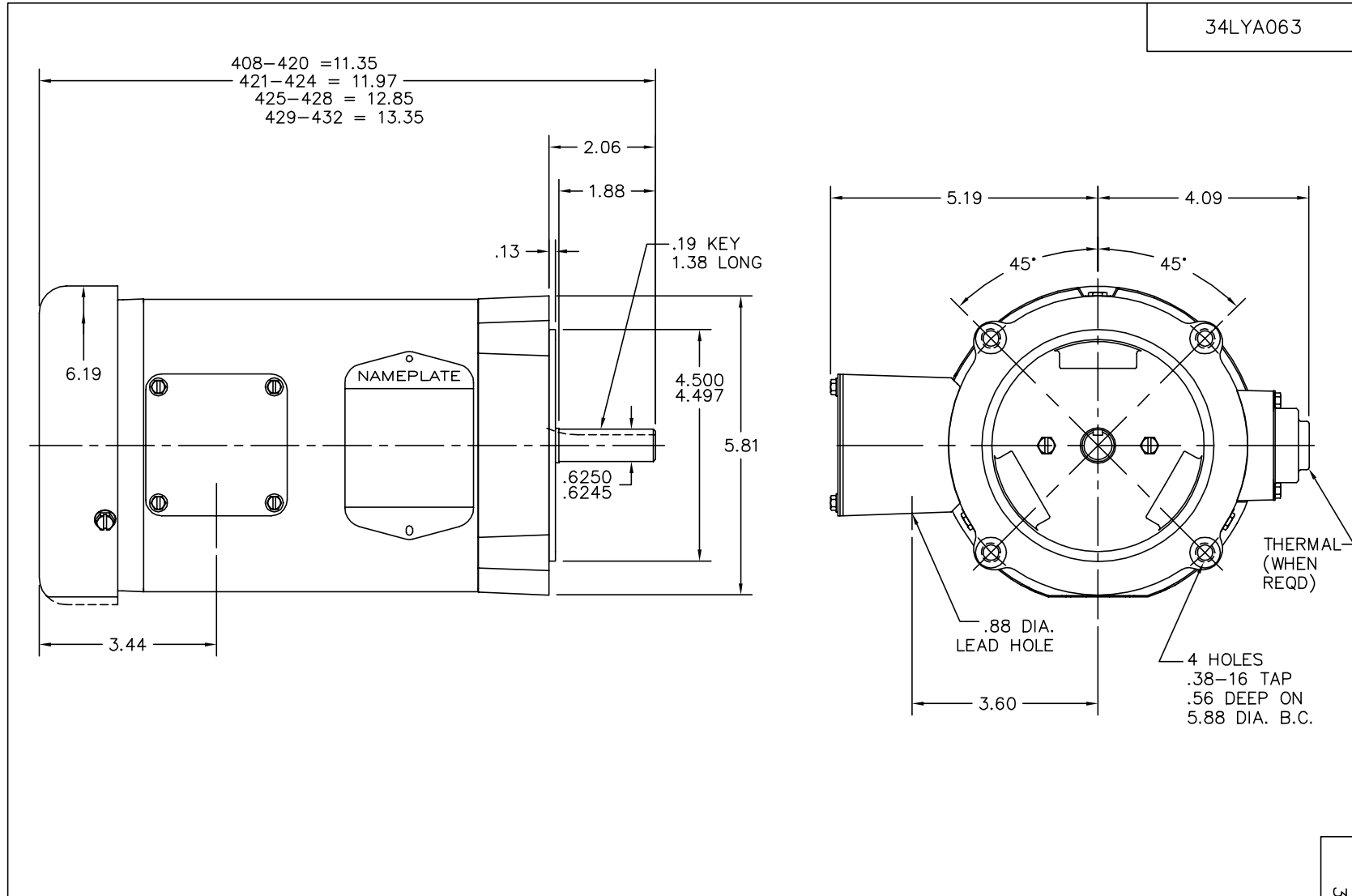
<b>Full Load Torque:</b>	2.25 LB-FT	<b>Start Configuration:</b>	DOL
<b>No-Load Current:</b>	1.2 Amps	<b>Break-Down Torque:</b>	10.0 LB-FT
<b>Line-line Res. @ 25°C.:</b>	17.68 Ohms A Ph / 0.0 Ohms B Ph	<b>Pull-Up Torque:</b>	8.5 LB-FT
<b>Temp. Rise @ Rated Load:</b>	74°C	<b>Locked-Rotor Torque:</b>	8.8 LB-FT
<b>Temp. Rise @ S.F. Load:</b>	91°C	<b>Starting Current:</b>	10.0 Amps

**Load Characteristics**

<b>% of Rated Load:</b>	<b>25</b>	<b>50</b>	<b>75</b>	<b>100</b>	<b>125</b>	<b>150</b>	<b>S.F.</b>
<b>Power Factor:</b>	28.0	42.0	55.0	64.0	71.0	76.0	71.0
<b>Efficiency:</b>	56.1	69.7	74.7	76.2	76.1	75.2	76.1
<b>Speed:</b>	1783.0	1766.0	1749.0	1731.0	1711.0	1693.0	1711.0
<b>Line Amperes:</b>	1.2	1.2	1.3	1.5	1.6	1.8	1.6

Performance Graph at 460V, 60Hz, 0.75HP (Typical performance - Not guaranteed values)





CUSTOMER IS RESPONSIBLE FOR DETERMINING THAT MOTOR PERFORMANCE IS SUITABLE IN THE APPLICATION.

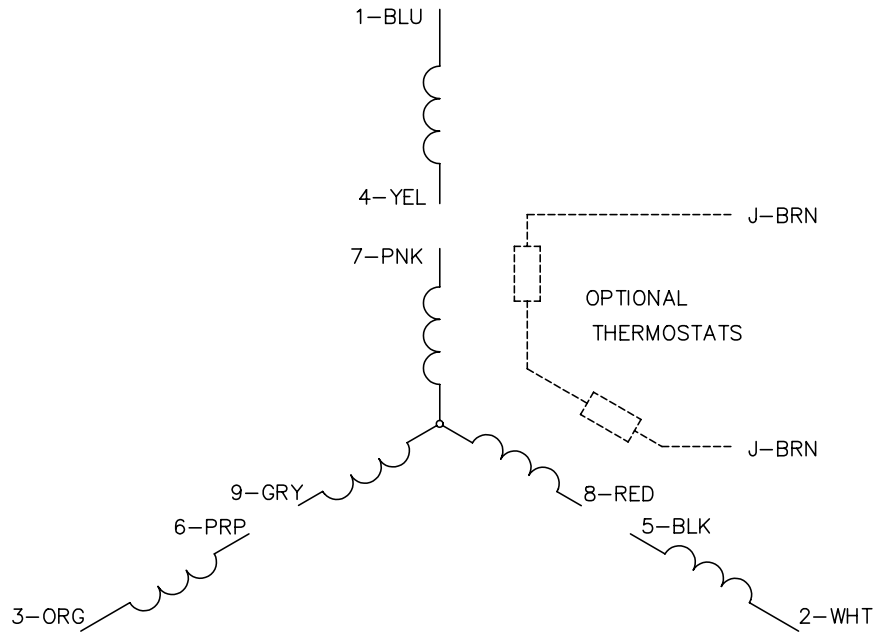
REV. DESC: UPDATED KBOX & LID		
REV. LTR: K	VERSION: 01	TDR: 000000375102
34LYA063	FILE: \AAA\00000\724	REVISED: 13:33:38 09/02/2005
	MTL: -	BY: ENROSTO

**BALDOR ELECTRIC Co.**

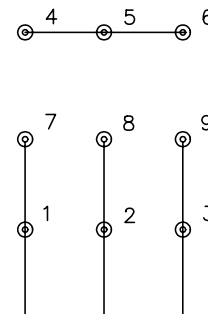
STD VERT 34M NEMA 56C TEFC

34LYA063

CD0005

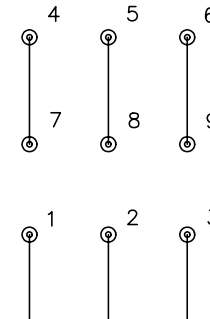


LOW VOLTAGE  
(2Y)



LINE

HIGH VOLTAGE  
(1Y)



LINE

NOTES:

1. INTERCHANGE ANY TWO LINE LEADS TO REVERSE ROTATION.
2. OPTIONAL THERMOSTATS ARE PROVIDED WHEN SPECIFIED.
3. ACTUAL NUMBER OF INTERNAL PARALLEL CIRCUITS MAY BE A MULTIPLE OF THOSE SHOWN ABOVE.
4. LEAD COLORS ARE OPTIONAL. LEADS MUST ALWAYS BE NUMBERED AS SHOWN.

REV. DESC: REVISE TO SHOW OPTIONAL COLORS			
REV. LTR: E	BY: JLP	REVISED: 01/19/99 10:15	TDR: 0171435
900000		FILE: AAA00005140	MDL: -
		MTL: -	

**BALDOR ELECTRIC Co.**

3PH, DV, 9 LEADS

CD0005